

SURETHERM 30X

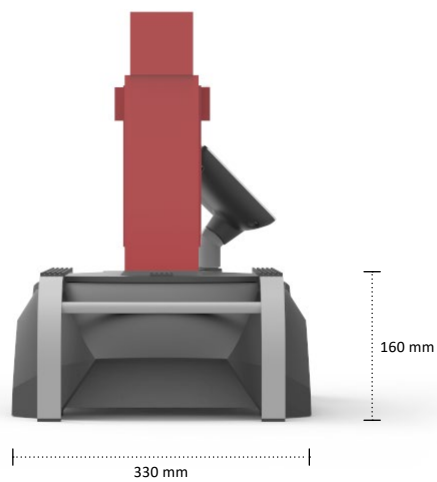
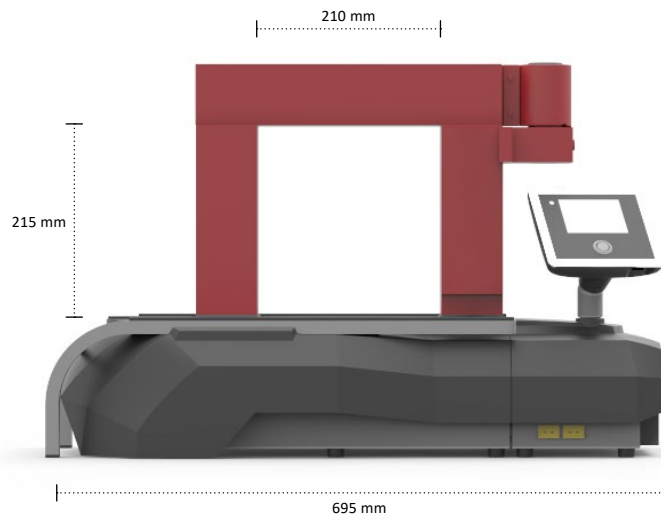


| | | | |
|---------------------|-------------------|---------------------|------------|
| Power rating | 8 kVA | Current max. | 20 A |
| Voltage | 400 - 480 - 575 V | Frequency | 50 - 60 Hz |

With the **SURETHERM** series TM Induction Heating introduced the new standard for induction heaters. The **SURETHERM** series are specially developed for tension free heating of bearings and gearwheels according to the industries' ever-growing standards and requirements. The unique 2 Sensor Mode will guarantee a fully controlled heating cycle. Without any extra effort, this heating method will prevent any unwanted tension in the bearing construction and changes to the metallurgic structures of gear wheels.

The modern touchscreen interface provides lots of settings and displays real time heating graphs in every heating mode. The graphs are downloadable through USB. Future firmware updates of both the touchscreen and the control board can be done easily through USB during the life cycle of the machine. And if you need to heat parts full power, as fast as possible, **SURETHERM** are the most powerful and effective low frequency induction heaters ever.

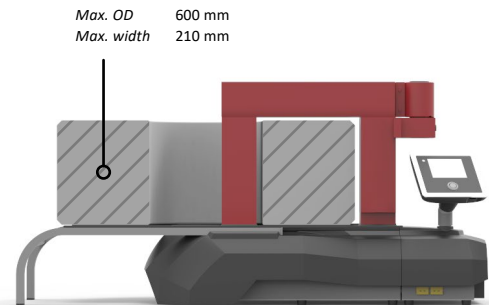
DIMENSIONS



DIMENSIONS WORKPIECE HORIZONTAL

(IN MILLIMETERS)

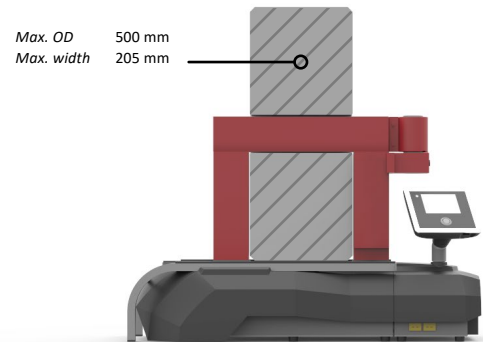
| | |
|-----------------------------|------|
| Min. bore | ø108 |
| Max. outer diameter | ø600 |
| Max. width | 210 |
| Max. width incl. ext. yokes | 360 |



DIMENSIONS WORKPIECE VERTICAL

(IN MILLIMETERS)

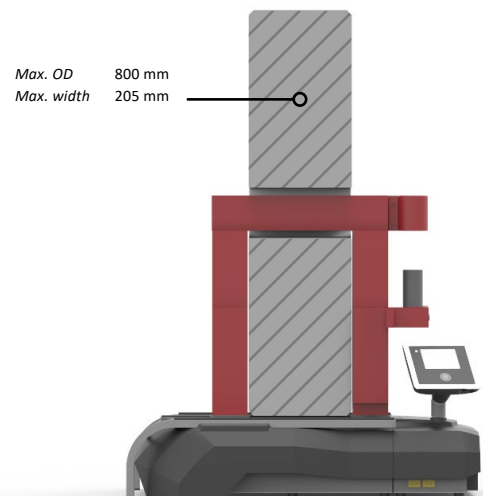
| | |
|--------------------------------------|------|
| Max. outer diameter | ø500 |
| Max. width | 205 |
| Max. outer diameter incl. ext. yokes | ø800 |



All extreme dimensions shown are theoretical. In practice there are multiple factors (e.g. workpiece weight, material and placement) that affect and limit the effective and proper heating of the workpiece.

MAX. WEIGHT WORKPIECE

| | |
|----------|--------|
| Bearings | 200 kg |
| Other | 200 kg |



CONTROLS



 **1 Sensor Mode**

0 - 240 °C *
 Power 5 - 100%

Actual temp. and power, Set temp. and power, Timer

 **Ramp Mode**

5 - 240 °C *
 0:00 - 99:59 (mm:ss / hh:mm)

Actual temp. and power, Set temp., Timer

 **2 Sensor Mode**

0 - 240 °C *
 ΔT 20 - 50 °C

Actual temp., ΔT and power, Set temp. and ΔT, Timer

 **Time Mode**

0:00 - 99:59 (mm:ss / hh:mm)
 Power 5 - 100%

Actual temp. and power, Set time and power, Countdown timer

* Max. 400 °C, available on custom 400 °C execution.

OTHER

| | |
|---------------------------|--|
| Languages | English, Spanish, German, French, Italian, Slovenian, Swedish, Russian, Korean, Croatian, Japanese |
| Error report | Shown in display |
| Heating graph | Shown in display |
| External interface | USB 2.0 Port |
| Sound signal | Buzzer |
| Temperature hold | Yes |
| Demagnetizing | < 2A/cm |
| Magnetic probe | 2 Sensors |
| Thermal safety guard coil | Yes |
| Warranty | Max. 36 months (24 + 12) |

STANDARD YOKES

| <i>Dimensions (mm)</i> | <i>Min. bore (mm)</i> |
|------------------------|-----------------------|
| 70 x 70 x 350 Pivot | ∅ 100 |

AVAILABLE YOKES

(OPTIONAL)

| <i>Dimensions (mm)</i> | <i>Min. bore (mm)</i> |
|------------------------|-----------------------|
| 14 x 14 x 350 | ∅ 20 |
| 20 x 20 x 350 Pivot | ∅ 30 |
| 30 x 26 x 350 Pivot | ∅ 40 |
| 40 x 38 x 350 Pivot | ∅ 55 |
| 50 x 48 x 350 Pivot | ∅ 70 |
| 60 x 60 x 350 Pivot | ∅ 85 |

| | |
|-----------------------|---------------|
| Extension yokes (set) | 70 x 82 x 150 |
|-----------------------|---------------|